

SELF DUMPING BINS



Features

The OVP self-dumping bin features:

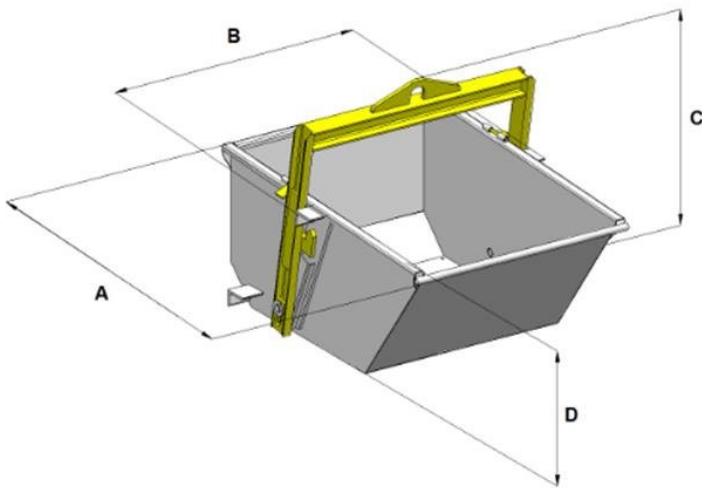
- From 300 L to 3000 L capacity
- Useful for handling general waste and debris material
- Automatic self dumping

All our products are powder-painted with RAL color 7035. Hot-dip galvanized coating is also available on request. We meet all European Directives and ASME Standards. Efficient, Reliable, and Built to Exceed Your Expectations! The self-dumping bin tackles waste and debris handling with unmatched ease. These heavy-duty bins come in a wide range of sizes and offers capacities from 300L to a whopping 3000L. The perfect solution for any waste management challenge. Whether it's construction debris, general waste, or industrial materials, our self-dumping bin is up to the task. Its robust construction and durable materials ensure it can withstand even the toughest environments. Experience the automatic self-dumping feature because lifting has never been easier: say goodbye to manual lifting and dumping. Embrace style and durability with our powder-painted RAL color 7035. This attractive finish provides added protection against wear and tear. Rest assured that these bins will maintain their pristine appearance even after prolonged use. And for those seeking enhanced corrosion resistance, we offer a hot-dip galvanized coating on request, for unparalleled protection from harsh weather conditions. Don't know how to lift our bucket? We've got you covered! Request a quote for **underhook attachments**.

[REQUEST A QUOTE >](#)

Description

Self dumping boat skip useful for handling general waste and debris material. The automatic discharge permits a safe work as it is not needed any intervention of the operator around the bucket. Available also with the galvanized coating.



MODEL	CAP. (L)	DIMENSIONS (mm)				WEIGHT kg	CAP. (kg)
		A	B	C	D		
10.01.09	300	1200	868	853	482	73	600
10.01.12	500	1302	1062	986	518	86	1000
10.01.15	750	1545	1172	1124	650	124	1500
10.01.17	1000	1716	1290	1201	665	246	2000
10.01.19	1500	1806	1272	1325	805	296	3000
10.01.21	2000	1990	1592	1496	864	549	4000
10.01.24	3000	2167	1942	1607	927	675	6000

